



## FULL HEIGHT TURNSTILE

### AKT - 100 | AKT - 101 | AKT - 102 SERIES

Your gate to protection...

Full Height Type Turnstiles are durable products that can be used indoors and outdoors. Provides access and access control in areas requiring high levels of security.

The proven Full Height Type Turnstiles provide robust solutions for controlled and high-security passage with intensive use and ability to handle crowds in places such as trade centers, prisons, stadiums, government, industrial buildings or private offices.

### Design

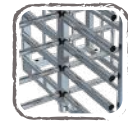
- ▶ Stain case design with smoothened corner.
- ▶ All other parts in turnstile are electro-galvanized against corrosion.

### Safety

- ▶ Electrical and mechanical safety is provided in the turnstile.
- ▶ Heavy duty mechanics, controlled by reliable electronics ensure a long product life with minimum maintenance requirement.

### Integration

- ▶ Easy integration with all access control equipment through functional electronic control board ( For example: RFID Device, Button Control, Finger Print and Biometric Device )



AKT - 100 - S



304 Stainless Steel

- ▶ Turnstile main body and arms 304 stainless steel.
- ▶ Optional 316 stainless steel option for outdoor use.
- ▶ Suitable for indoor and outdoor use with low humidity.

AKT - 101 - S



Painted

- ▶ Turnstile main body and arms painted.
- ▶ Paint Codes: 9016, 7032, 7035, 7001, 9005, 1023, 1028, 2004, 3020, 3002, 5015, 6018, 7016
- ▶ Suitable for indoor and outdoor use with low humidity.

AKT - 102 - S



Painted Body Rotor - Arms Stainless Steel

- ▶ Turnstile main body painted, arms 304 stainless steel.
- ▶ Paint Codes: 9016, 7032, 7035, 7001, 9005, 1023, 1028, 2004, 3020, 3002, 5015, 6018, 7016
- ▶ Suitable for indoor and outdoor use with low humidity.





### Main Body

Tripod Arms	Produced by Ø42 - 1.5 mm material. - Stainless Steel - Arms can be dismantled or mounted one by one separately.
Rotor Systems	With rotating control; tripod arms are positioned at 90 degrees
Rotation Control	Self centering and smooth operation is handled by means of spring and hydraulic damping mechanism
Standard Dimensions ( W x L x H )	135 x 130 x 220 cm
Standard Passageway Width	600 mm ( Arm Length : 550 mm )



### Electrical Parameters

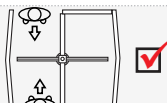
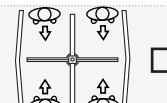
Operating Voltage	110 - 240V AC 50/60 Hz (+/- %10)
Nominal / Max Current	250Ma / 850 Ma
Power Consumption	50 W
Mean Cycles Between Failure ( MCBF )	1M Cycles



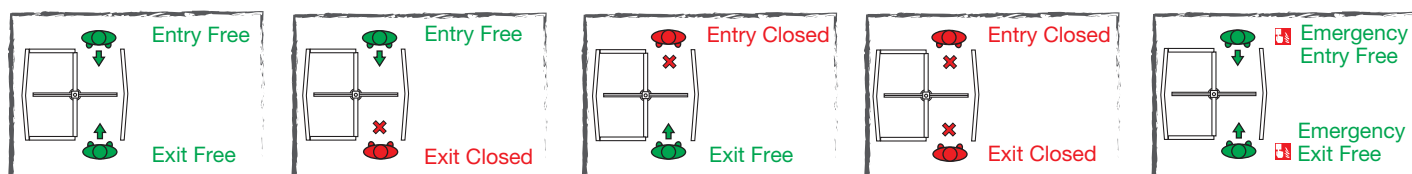
### Function Working

Control Systems	All inputs are opto-coupler protected. Controlled by dry contact or grounding input. Compatible with all access control systems that provide dry contact or grounding outputs
Output Data (Feedback)	The systems provides dry contact, NO - Normally Open, entry - exit passage feedback by relays
Passage Direction	Bi-Directional operation feature. Entrance-Exit
Time out Delay	Adjustable ; Operating Modes ( 7 - 14 - 21 second )
Flow Rate	33 Passage / Minutes / Normally Standard
Emergency Mode	System allows free passage in emergency mode and in case of power failure
Indicators Features	Entrance - Green Arrow / Exit - Red Cross
Communication	RS 232 ( Need PC Systems hardware serial port )
Operating Temperature	-20° C / + 50° C
Operating Humidity	0 / + 45° C ( RH 95% not-condensing )
IP Rating	IP - 54
Working Environment	Indoor



Number of Passage Lanes	Single Unit  Double Unit 
-------------------------	---

### Operation Modes



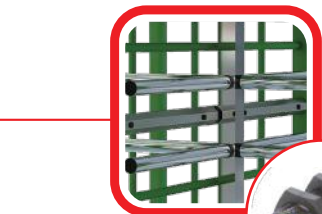
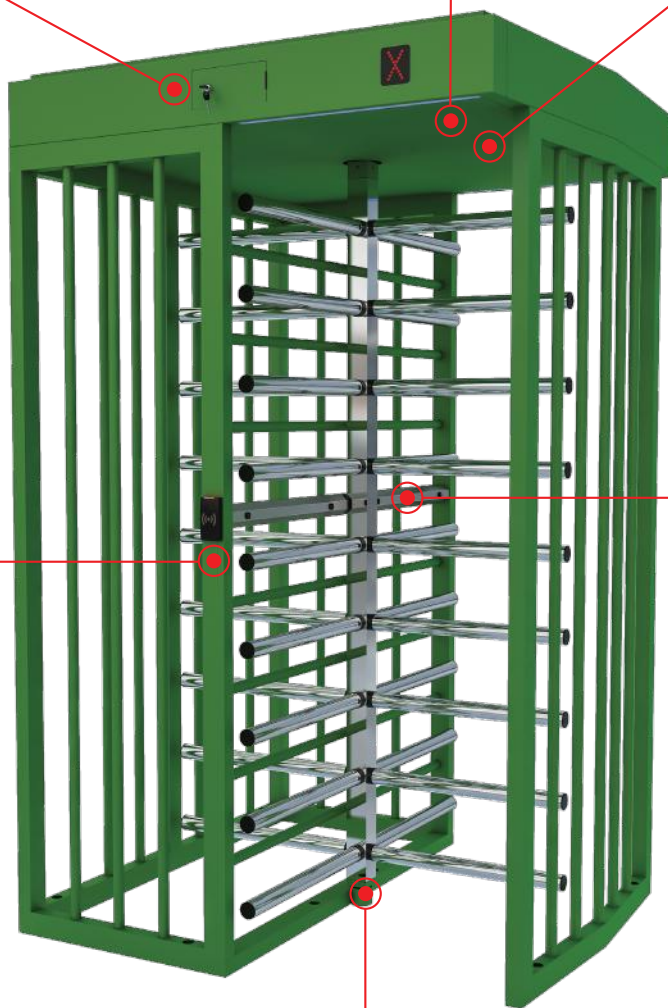
Top Panel Led Light



Top Panel Spot Light



Manual Control Box



Passage Tracking Sensors

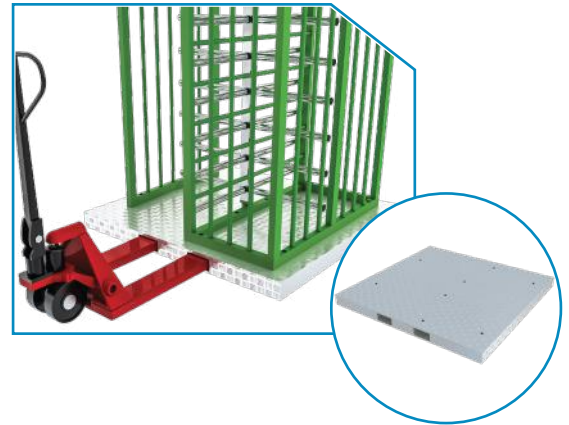
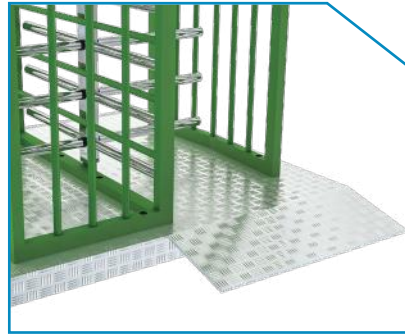
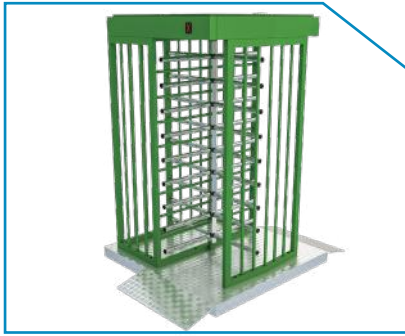


Card Reader



90° Rotor Position

**Installation Platform**



- ▶ Ease of modular installation with anti-skid bottom platform.
- ▶ Front and rear ramp system for easy access.
- ▶ Ease of transportation with forklift unit.

**Manuel Control Box - Fixed**



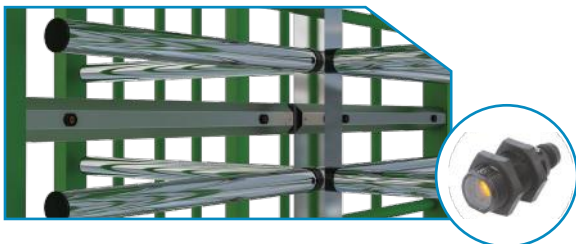
- ▶ Manual control box in the upper part of the turnstile, inside the locked compartment.
- ▶ Control of "Input, Output, Emergency" modes with security personnel in emergency situations.

**Button Control Unit - Independent**



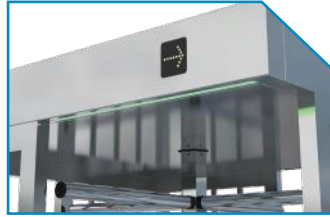
- ▶ BT-1 and BT-2 type options, usually used in security booths or security rooms, for remote control of "In, Out, Emergency" modes.

**Passage Tracking Sensors**



- ▶ To fully confirm the user's physical transition; Transition monitoring feature with sensor structure at 4 different points on position bar which is configured as " - T " shaped horizontal parallel to the middle of turnstile.
- ▶ This feature is optionally produced in the middle of the turnstile with the turn " - T " configuration.

**Top Panel Led Light**



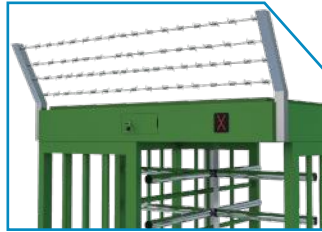
- ▶ Indicator external LED lights on the top of the turnstile are used for a more visual and distinct transition in the ceiling.
- ▶ The LED light system is blue in standard standby position and it provides more visual and clear transition control in green and red combinations as soon as transition occurs.

**Top Panel Spot Light**



- ▶ Spotlight provides more intense illumination for low-light or non-lighted areas.

**High Security Options**



- ▶ Shark Tooth and Barbed Wire options provide a higher security position.

**Special Cabin Applications**

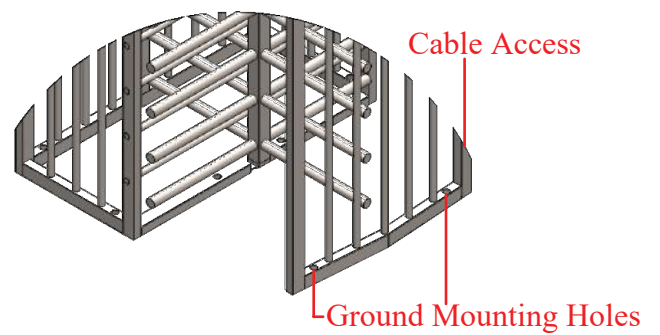
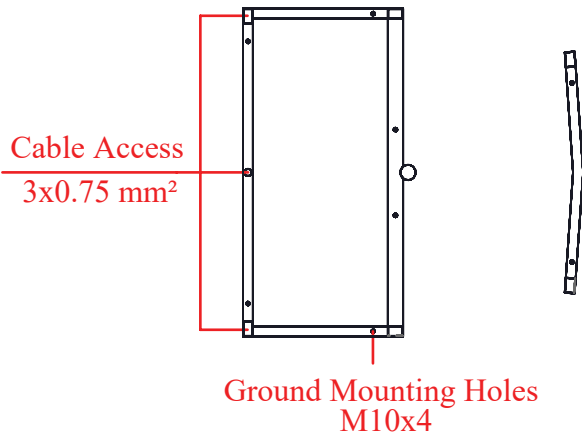
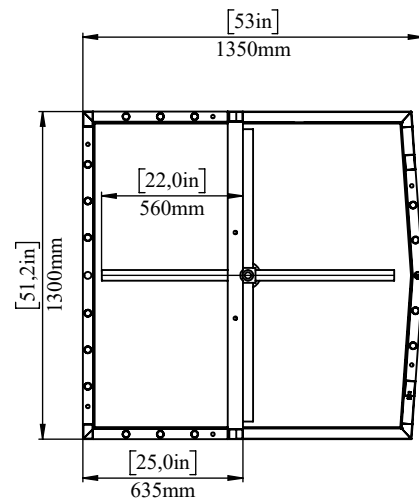
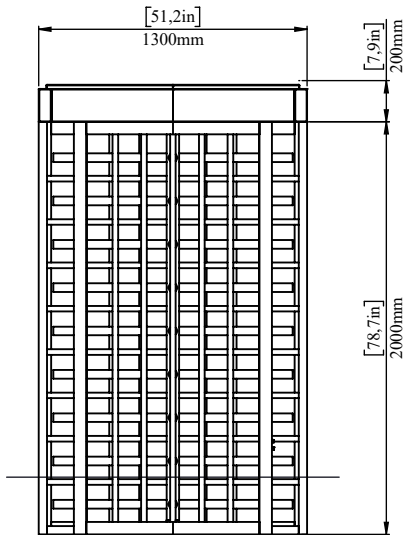
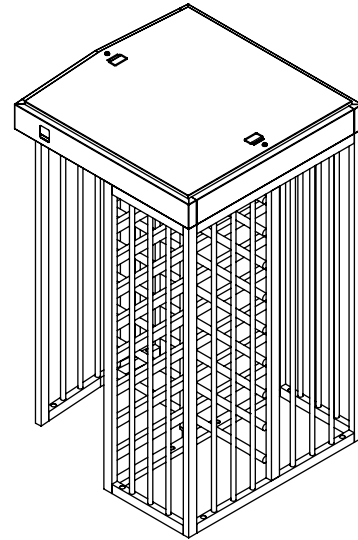
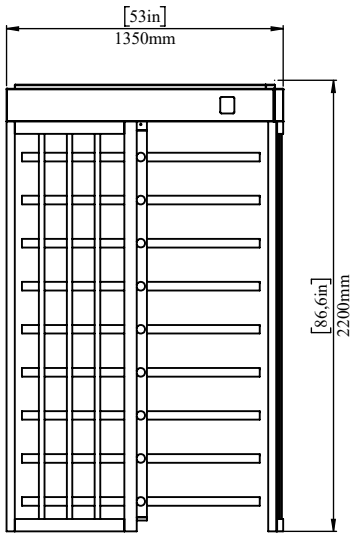


**Token Cabinet**



**Access Control  
Card System Applications**

- ▶ Special cabin production is made according to the project details.

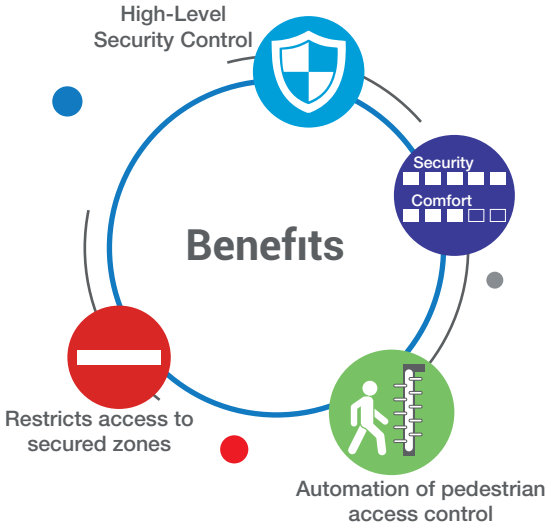
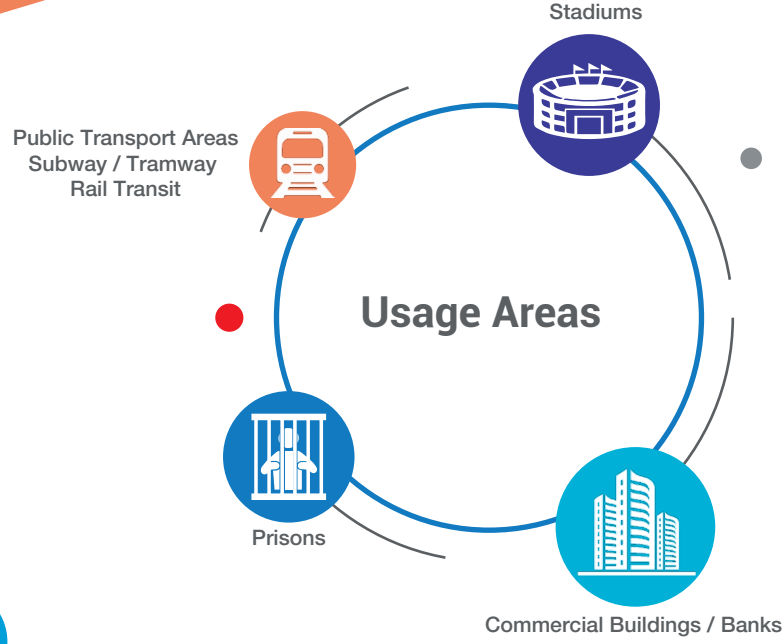




M1B

# ESENLER METRO İSTASYONU





### Factory

Ivedik OSB Agac Isleri San. Sit. 1333.Cad. No:25 Ostim - Yenimahalle  
ANKARA - TURKEY

+90 312 395 02 88

+90 312 395 02 70

### Branch

Perpa Ticaret Merkezi A Blok - Kat:7-8 No:758 Sisli - ISTANBUL - TURKEY

+90 212 320 69 79

+90 212 320 69 79

www.aktuelturnike.com

export@aktuelturnike.com.tr

### Local Reseller

Blank area for local reseller information.