



AKT - 80 - HYGIENE

WAIST HEIGHT TURNSTILES

Your gate to protection...



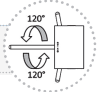

General Features

- Akt - 80 Hygiene Turnstiles are used for imperative touchless disinfection at the entrance of production areas.
- Thanks to the adjustable amount of spray Akt - 80 Hygiene Turnstiles does not allow passage, provides disinfection of both hands without wasting disinfectant.
- Thanks to its maximum 5 liter reservoir, you can no need to refill.
- Akt - 80 Hygiene Turnstile's durable and climate resistant stainless steel case ensures low service requirement and easy installation.
- 100% Home Production





Main Body

Material	AISI- 304 - Stainless Steel - Scotch Brite (Op. AISI-316 Quality)	304
Tripod Arms	Q32 mm dia - Stainless Steel - Arms can be dismantled or mounted one by one separately	
Rotor Systems	With rotating control; tripod arms are positioned at 120 degrees	
Tripod Hub	Cast aluminium with polished finished	
Rotation Control	Self centering and smooth operation is handled by means of spring and hydraulic damping mechanism	
Standard Dimensions (W x L x H)	28 x 45 x 137 cm	
Standard Passageway Width	480 mm (Arm Length : 430 mm)	











Electrical Parameters

Operating Voltage	110 - 240V AC 50/60 Hz (+/- %10)	
Nominal / Max Current	250Ma / 850 Ma	
Power Consumption	30 W	24V DC
Mean Cycles Between Failure (MCBF)	1M Cycles	

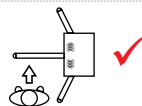


Function Working

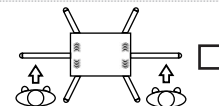
Control Systems	All inputs are opto-coupler protected. Controlled by dry contact or grounding input. Compatible with all access control systems that provide dry contact or grounding outputs	
Output Data (Feedback)	The systems provides dry contact, NO - Normally Open, entry - exit passage feedback by relays	
Passage Direction	Bi-Directional operation feature. Entrance-Exit	
Time out Delay	Adjustable ; Operating Modes (7 - 14 - 21 second)	
Flow Rate	30 Passage / Minutes / Normally Standard	
Emergency Mode	System allows free passage in emergency mode and in case of power failure	
Indicators Features	Entrance - Green / Exit - Red	
Communication	RS 232 (Need PC Systems hardware serial port)	
Spraying Amount	2 sec (3-5 ml spraying) (Adjustable 1-2-3-4-5 seconds programming mode)	
Usage Capacity	5 Liter Jerrycan (Average 1100 passage)	
Disinfectant	Turnstile disinfection systems should be used only in the liquid alcohol-based disinfectant. NOTE: Disinfecting fluid is not included.	
Working Environment	Indoor - Outdoor	
Operating Temperature	-20° C / + 50° C	
Operating Humidity	0 / + 45° C (RH 95% not-condensing)	
IP Rating	IP - 54	

Number of Passage Lanes

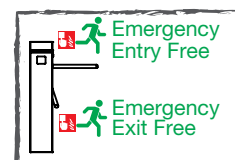
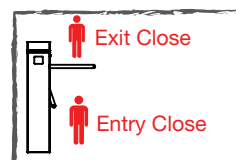
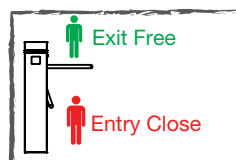
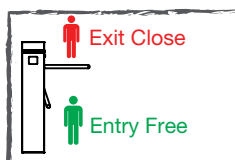
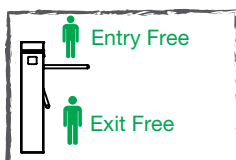
Single Unit



Double Unit



Operation Modes



Hygienic Mat



- ▶ It is used to drain excess disinfectant on the foot.

Jerry Can Reservoir



- ▶ Jerry can reservoir is applied to the side or back of the turnstile.

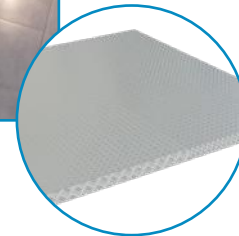
Optional Accessories

Separator



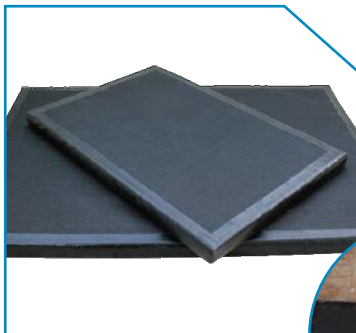
- ▶ The main pillar, intermediate lath pipes and the lower base are made of 304 quality stainless steel.

Floor Mounting Plate

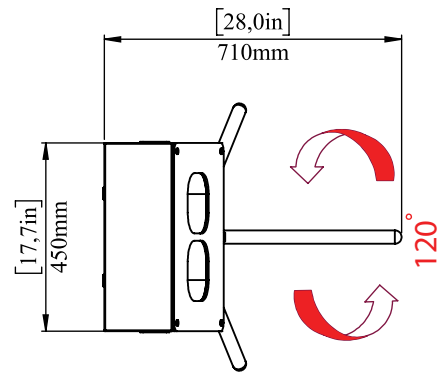
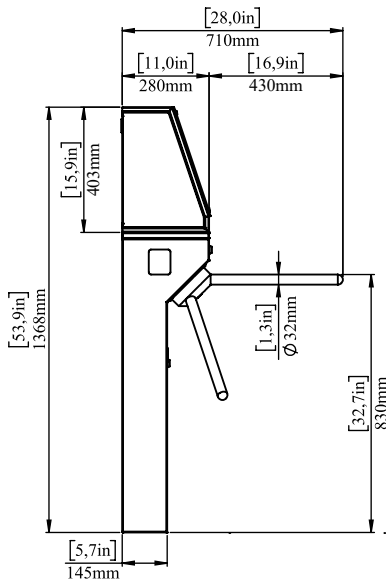
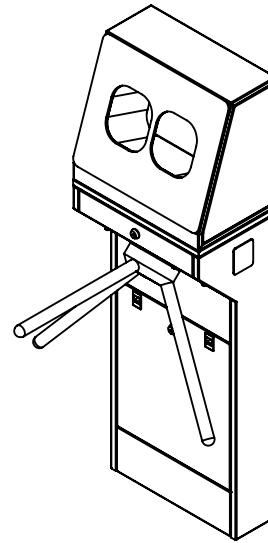
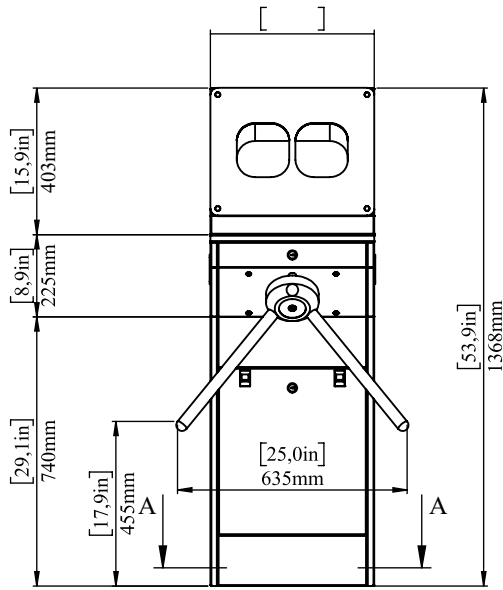


- ▶ Ease of modular installation with anti-skid bottom platform.
- ▶ Ease of installation in difficult ground conditions.
- ▶ Front and rear ramp system for easy access.

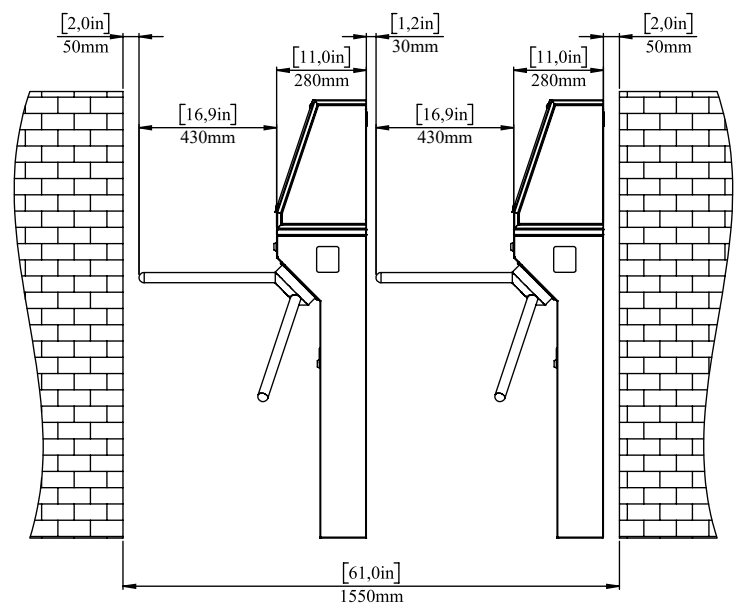
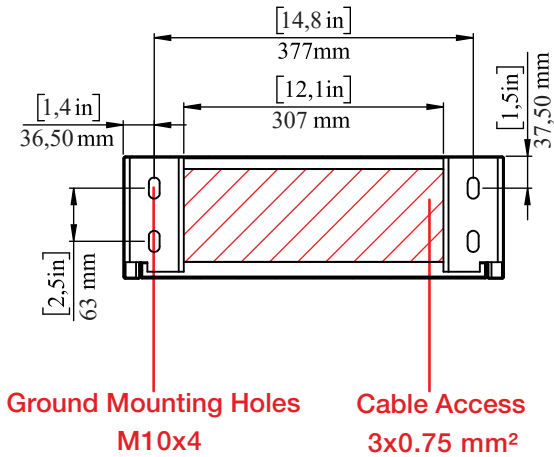
AKT -PASS
Antimicrobial Disinfectant Mop

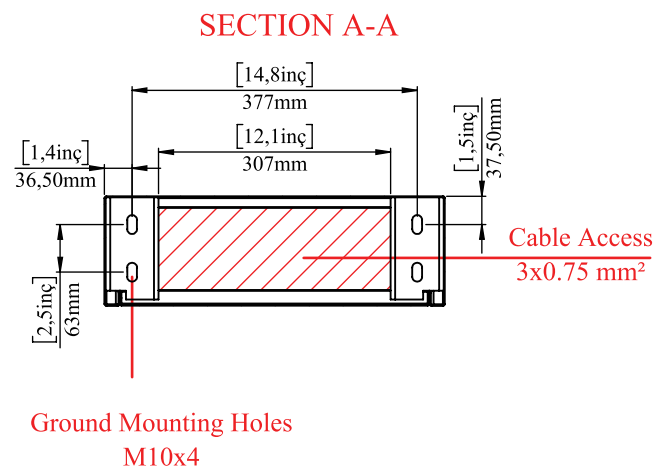
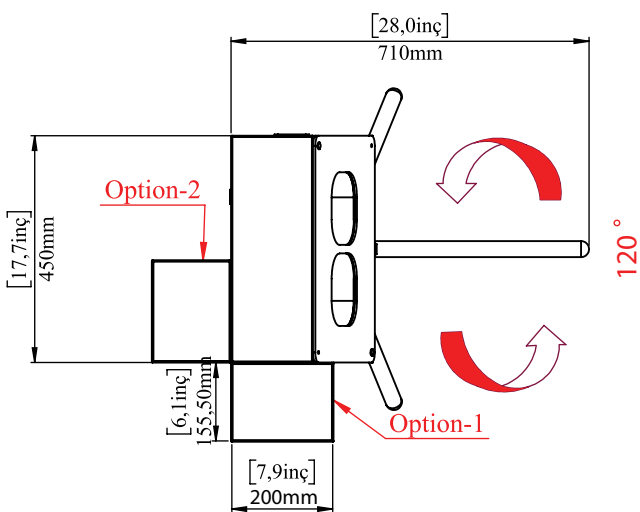
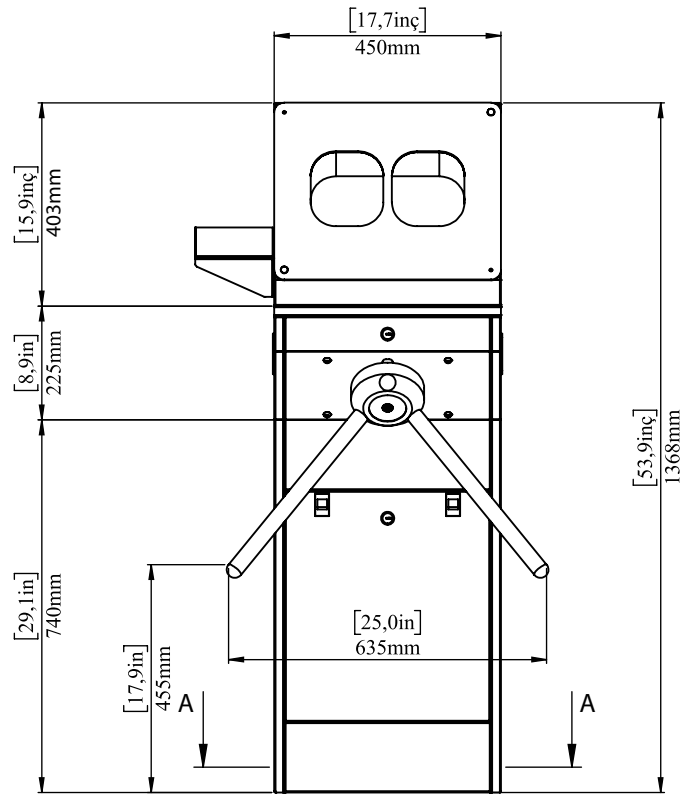
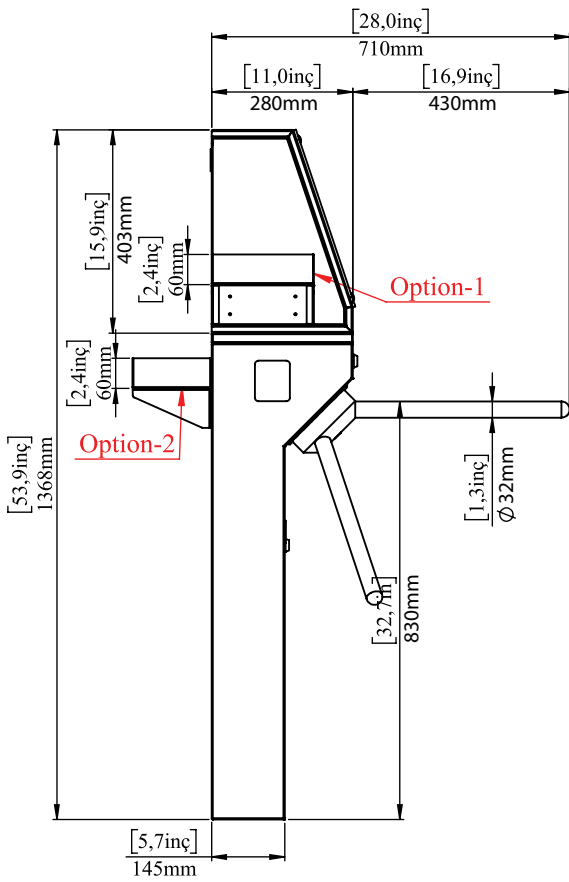


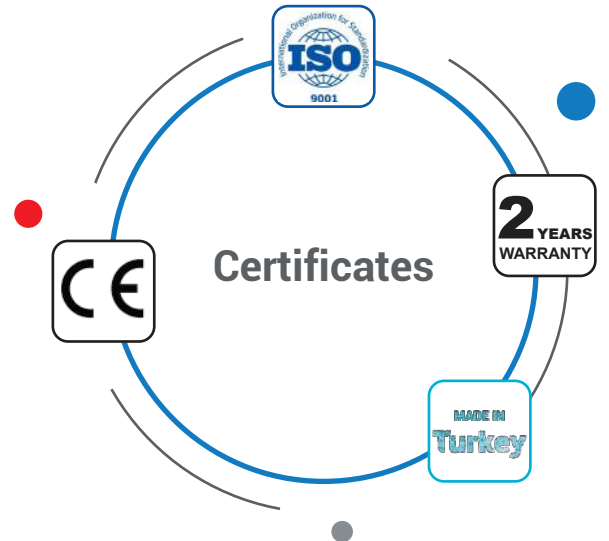
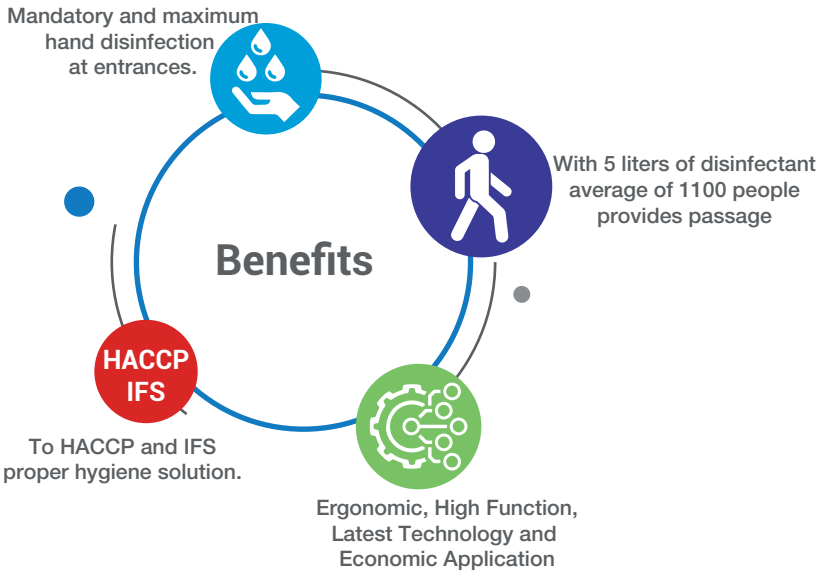
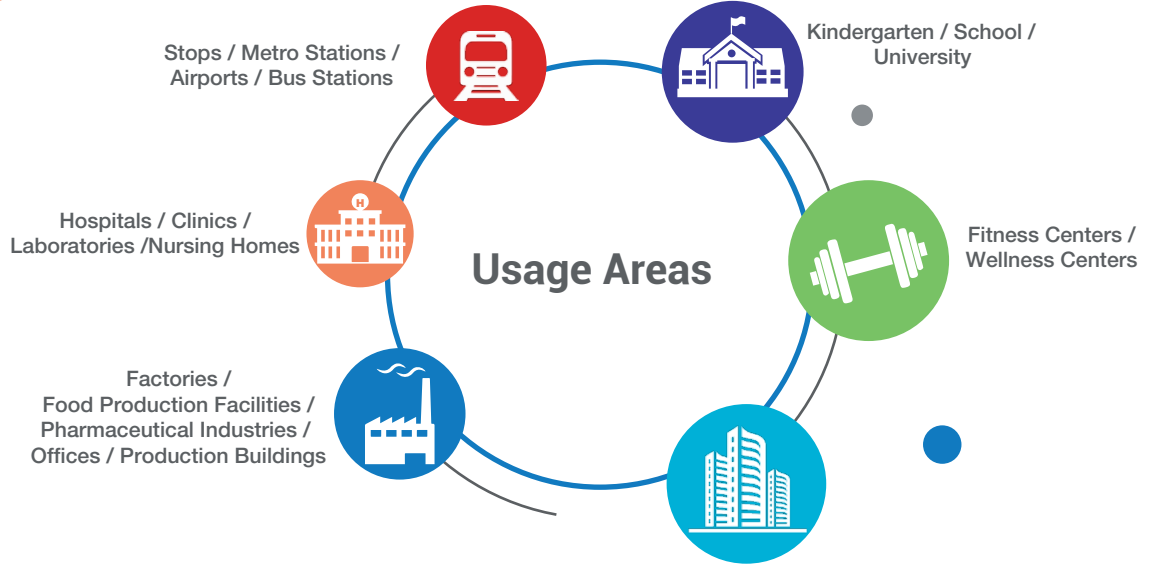
- ▶ Microorganisms carried to foot hygienic environments and used to prevent entry of other impurities.
- ▶ AKT-PASS edges and top are closed. It has a special filter and keeps dirt. Protects the disinfectant used. Durable, economic and quality.



SECTION A-A







Factory

Ivedik OSB Agac Isleri San. Sit. 1333.Cad. No:25 Ostim - Yenimahalle
ANKARA - TURKEY

+90 312 395 02 88

+90 312 395 02 70

Branch

Perpa Ticaret Merkezi A Blok - Kat:7-8 No:758 Sisli - ISTANBUL - TURKEY

+90 212 320 69 79

+90 212 320 69 79

www.aktuelturnike.com

export@aktuelturnike.com.tr

Local Reseller